

Megawin Switchgear

M140B NUMERICAL OVER CURRENT PROTECTION



M140B Numerical Over Current Protection



M140B Numerical Over Current Relay

The M140B of multifunction relay provide cost effective, integrated Numerical Protection, Control, Monitoring, Measuring and communication functionality. The relay has state of True RMS technology which ensures superior performance

Application

M140B provides comprehensive protection for distribution feeders and back-up protection for transformers, Transmission lines and Generators.

Features and Functions

- Over current protection (51/50)
- Earth Fault protection (51N/50N)
- Cold load Pick up (51C)
- Circuit Breaker Failure protection (50BF)
- 1Amp & 5Amp CT secondary selectable by software.
- Self Monitoring
- Reset time feature for flashing faults
- 3 digital inputs and 7 outputs

Binary Inputs

- Standard- 3 programmable inputs

Output Relays

- Standard-6 programmable outputs

M140B Numerical Over Current Protection



Control

- Four-shot Auto-Reclose Function (79)
- Flexible of programmable digital inputs and outputs
- Programmable Function Blocking feature
- Group control protection settings
- Remote trip and close command functions
- Demand current control function

Monitoring

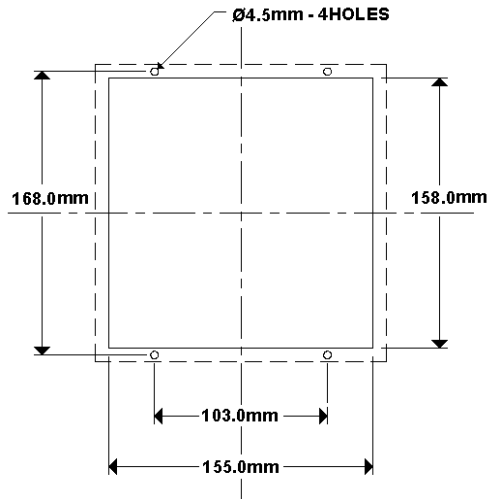
- Trip Circuit Supervision(74TCS)
- CB Monitoring (trip count and $\Sigma I2$)
- Stores upto 8 fault records.

Measurements

- Secondary current and primary current displays
- Trip count accumulation
- $\Sigma I2$ accumulation
- All the protection function, monitoring function, binary inputs and binary outputs.

Other Features

- Self monitoring
- 1A &5A CT inputs in same relay
- Wide range of auxiliary supply
- Programmable inputs and outputs
- Password protected settings.
- User friendly settings
- 2X16 LCD display
- True RMS measurement for protection and metering.



CUTOUT FOR MOUNTING

CASE: Flush mounting

- Bezel dimension 178 mm × 178 mm
- Maximum depth inside the panel 190 mm
- All dimensions are equidistant from centre line



Regional Offices:

Delhi	+91 11 43048405
Mumbai	+91 22 27810301
Chennai	+91 44 24403569
Kolkata	+91 33 25551485
Bangalore	+91 80 22375520
Secunderabad	+91 40 40200154
Vadodara	+91 265 2351291
Bhopal	+91 9302065948
Pune	+91 20 26151097
Kochi	+91 484 2391255
Chattisgarh	+91 9329887414

MEGAWIN

Megawin Switchgear P Ltd

P.O. Box No 434

Alagapuram Post

PerumalMalaiAdivaram

Salem, India -636004

For Further Details, Please Visit
www.megawinswitchgear.com

**For enquiries please
Contact**

info@megawin.co.in

salem@megawin.co.in

Ph: 91-427-2330498, 2330288

Fax : 91-427-2330502