

# Megawin Switchgear

## M140D NUMERICAL OVER CURRENT PROTECTION



# M140D Numerical Over Current Protection



## M140D Numerical Over Current Relay

The M140D of numeric relay provide cost effective, integrated Numerical Protection, Control, Monitoring, Measuring and communication functionality. The relay has state of True RMS technology which ensures superior performance.

### Application

M140D provides comprehensive protection for distribution feeders and back-up protection for transformers, Transmission lines and Generators.

### Features and Functions

- Over current protection (51/50)
- Earth Fault protection (51N/50N)
- 1 Amp & 5Amp CT secondary selectable by software.
- Self Monitoring
- Reset time feature for flashing faults

### Output Relays

- Standard-2 outputs

# M140D Numerical Over Current Protection



## Control

- Four-shot Auto-Reclose Function (79)
- Flexible of programmable digital inputs and outputs
- Programmable Function Blocking feature
- Group control protection settings
- Remote trip and close command functions
- Demand current control function

## Monitoring

- Stores 1 fault record

## Measurements

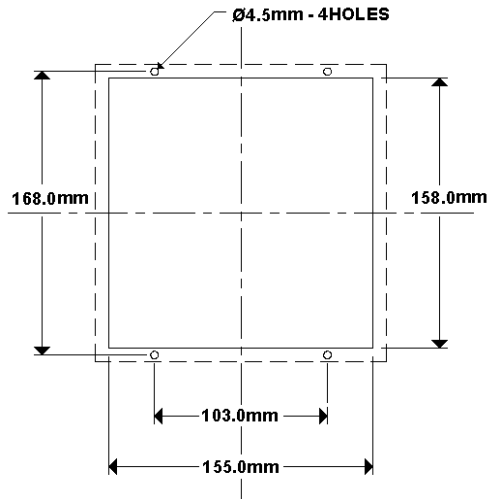
- Secondary current and primary current displays
- All the protection function, monitoring function

## Other Features

- Self monitoring
- 1A & 5A CT inputs in same relay
- Wide range of auxiliary supply
- Password protected settings.
- User friendly settings
- 2X16 LCD display
- True RMS measurement for protection and metering.

## Communication Features

- Rear RS-485 port for remote communication
- Modbus and IEC-60870-5-103 protocols



## CUTOUT FOR MOUNTING

**CASE:** Flush mounting

- Bezel dimension 178 mm × 178 mm
- Maximum depth inside the panel 190 mm
- All dimensions are equidistant from centre line



### Regional Offices:

Delhi	+91 11 43048405
Mumbai	+91 22 27810301
Chennai	+91 44 24403569
Kolkata	+91 33 25551485
Bangalore	+91 80 22375520
Secunderabad	+91 40 40200154
Vadodara	+91 265 2351291
Bhopal	+91 9302065948
Pune	+91 20 26151097
Kochi	+91 484 2391255
Chattisgarh	+91 9329887414

**MEGAWIN**

*Megawin Switchgear P Ltd*

*P.O. Box No 434*

*Alagapuram Post*

*PerumalMalaiAdivaram*

*Salem, India -636004*

For Further Details, Please Visit  
[www.megawinswitchgear.com](http://www.megawinswitchgear.com)

**For enquiries please  
Contact**

[info@megawin.co.in](mailto:info@megawin.co.in)

[salem@megawin.co.in](mailto:salem@megawin.co.in)

Ph: 91-427-2330498, 2330288

Fax : 91-427-2330502