

Megawin Switchgear

M135C NUMERICAL UNDER/OVER VOLTAGE PROTECTION



M135C - NUMERICAL UNDER/OVER VOLTAGE PROTECTION



M135C - NUMERICAL UNDER/OVER VOLTAGE PROTECTION

FEATURES

Three phase under / over voltage protection and one residual (over) voltage protection

- Over / under / residual protection have two stages of protection - Stage 1 and Stage 2.
- Inverse as well as definite time Characteristics for over, under and residual voltage
- User Friendly settings with Password Protection.
- 16 Characters 2 Line LCD display with backlight - alphanumeric display
- Same input will accept wide secondary voltage - voltage ratings selectable by software.
- Residual voltage input is tuned for fundamental.
- Self Monitoring.
- Primary (voltage) Metering.
- Secondary voltage values display.
- Reset time feature for inverse characteristics.
- Two group of protection settings.
- External blocking feature.
- Fuse failure protection
- Configurable Digital inputs.
- Configurable Digital outputs.
- Configurable dual color LED indications.
- Feeder identification.
- Relay test facility.
- 100 Fault records with time stampings.
- 100 Event records with time stampings.
- RS485 and USB port Communication with MODBUS or IEC 60870 - 5 - 103 protocol.

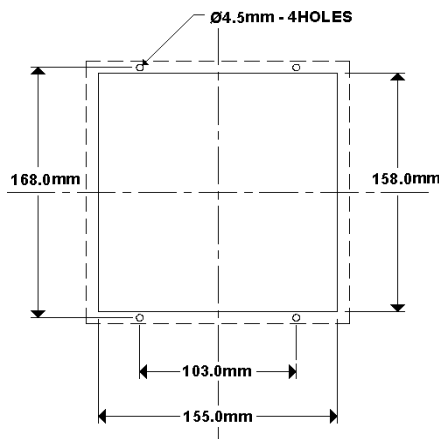
M135C - NUMERICAL UNDER/OVER VOLTAGE PROTECTION

INTRODUCTION:

Megawin's M135C is a numerical four pole voltage protection relay with communication can be used to protect substation, high voltage distribution and transmission network. Relay with suitable rating is also available for low voltage system.



- As M135C contains neutral displacement protection also, which can be very well used for capacitor bank protection and unearthed system protection. The relay has user friendly Human machine interface with five push buttons and LCD display.
- Fuse failure Protection
- Trip circuit supervision
- Group change
- Blocking
- Reset the latched Relay / LED's
- These inputs can also be configured to just initiate a timer either on energising (pickup) or on releasing (drop-off). The time range is from zero milliseconds, up to 24 hours
- Event records
- Primary / Secondary values of meter display.



CUTOUT FOR MOUNTING

CASE: Flush mounting

- Bezel dimension 178 mm × 178 mm
- Maximum depth inside the panel 190 mm
- All dimensions are equidistant from centre line



 **MEGAWIN**

Megawin Switchgear P Ltd

P.O. Box No 434

Alagapuram Post

PerumalMalaiAdivaram

Salem, India -636004

For Further Details, Please Visit
www.megawinswitchgear.com

Regional Offices:

Delhi	+91 11 43048405
Mumbai	+91 22 27810301
Chennai	+91 44 24403569
Kolkata	+91 33 25551485
Bangalore	+91 80 22375520
Secunderabad	+91 40 40200154
Vadodara	+91 265 2351291
Bhopal	+91 9302065948
Pune	+91 20 26151097
Kochi	+91 484 2391255
Chattisgarh	+91 9329887414

**For enquiries please
Contact**

info@megawin.co.in

salem@megawin.co.in

Ph: **91-427-2330498, 2330288**

Fax : **91-427-2330502**